

# TMDS Digital Video Equalizer for DVI/HDMI Cables

## General Description

The MAX3815 cable equalizer automatically provides compensation for DVI™, HDMI™, DFP, PanelLink®, and ADC cables. It extends the usable cable distance up to 36 meters. The MAX3815 is designed to equalize signals encoded in the transition-minimized differential signaling (TMDS®) format.

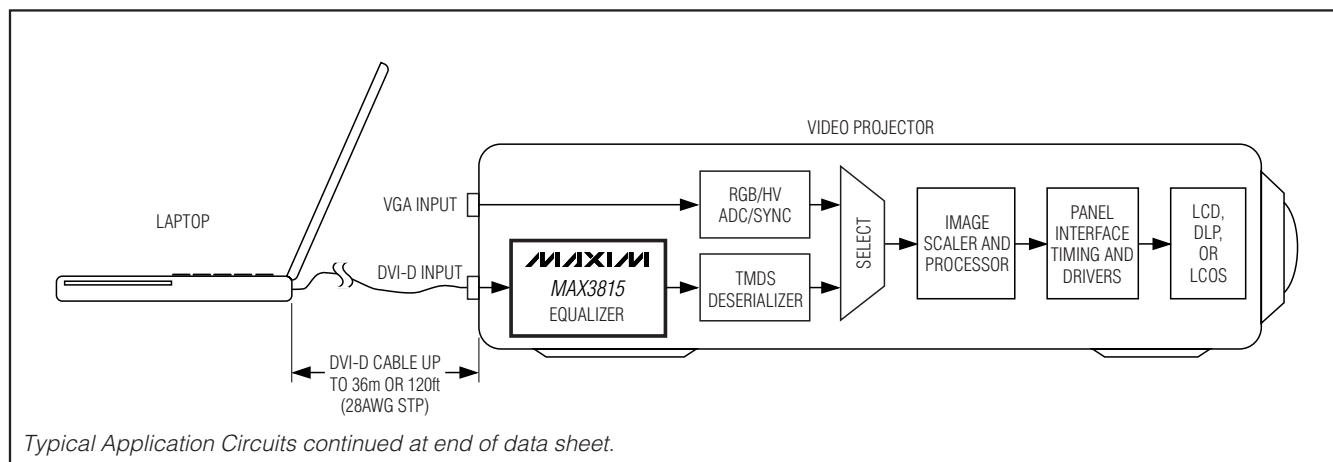
The MAX3815 features four CML-differential inputs and outputs (three data and one clock). It provides a loss-of-signal (LOS) output that indicates loss-of-clock signal. The outputs include a disable function or the equalizer can be powered down to conserve power. For direct chip-to-chip communication, the output drivers can be switched to one-half the DVI output specification to conserve power and reduce EMI. Equalization can be automatic or set to manual control for specific in-cable applications.

The MAX3815 is available in a 7mm x 7mm, 48-pin TQFP-EP package and operates over a 0°C to +70°C temperature range.

## Applications

Front-Projector DVI/HDMI Inputs  
High-Definition Televisions and Displays  
DVI-D/HDMI Cable-Extender Modules and Active Cable Assemblies  
LCD Computer Monitors

*Pin Configuration appears at end of data sheet.*



*Typical Application Circuits continued at end of data sheet.*

DVI is a trademark of Digital Display Working Group.  
HDMI is a trademark of HDMI Licensing, LLC.  
PanelLink and TMDS are registered trademarks of Silicon Image, Inc.

## Features

- ◆ Extends TMDS Cable Reach to Projectors or Monitors Using DVI, DFP, PanelLink, ADC, or HDMI Interfaces
- ◆ Extends TMDS Interface Length as Follows:
  - 0 to 50 Meters Over DVI-Cable, 24 AWG STP (Shielded-Twisted Pair)
  - 0 to 36 Meters Over DVI-Cable, 28 AWG STP
  - 0 to 30 Meters Over DVI-Cable, 30 AWG STP
- ◆ Compatible with DTV Resolutions 480i, 480p, 720p, 1080i, and 1080p
- ◆ Compatible with Computer Resolutions VGA, SVGA, XGA, SXGA, UXGA
- ◆ Fully Automatic Equalization Up to 40dB at 825MHz (1.65Gbps), No System Control Required
- ◆ 3.3V Power Supply
- ◆ Power Dissipation of 0.6W (typ)
- ◆ 7mm x 7mm 48-Pin TQFP Lead-Free Package

## Ordering Information

| PART        | TEMP RANGE   | PIN-PACKAGE | PKG CODE |
|-------------|--------------|-------------|----------|
| MAX3815CCM  | 0°C to +70°C | 48 TQFP-EP* | C48E-8   |
| MAX3815CCM+ | 0°C to +70°C | 48 TQFP-EP* | C48E-8   |

+Denotes lead-free package.

\*EP = Exposed pad.

## Typical Application Circuits

# TMD5 Digital Video Equalizer for DVI/HDMI Cables

## ABSOLUTE MAXIMUM RATINGS

Supply Voltage  $V_{CC}$  .....-0.5V to +4.0V  
 Voltage at All I/O Pins .....-0.5V to ( $V_{CC} + 0.7$ V)  
 Voltage between any CML I/O Complementary Pair ..... $\pm 3.3$ V  
 Continuous Power Dissipation ( $T_A = +70^\circ\text{C}$ )  
 48-Pin TQFP-EP (derate 36.2mW/ $^\circ\text{C}$  above +70 $^\circ\text{C}$ ) ..2896mW

Operating Junction Temperature Range .....-55 $^\circ\text{C}$  to +150 $^\circ\text{C}$   
 Storage Temperature Range .....-55 $^\circ\text{C}$  to +150 $^\circ\text{C}$   
 Die Attach Temperature .....+400 $^\circ\text{C}$

Stresses beyond those listed under "Absolute Maximum Ratings" may cause permanent damage to the device. These are stress ratings only, and functional operation of the device at these or any other conditions beyond those indicated in the operational sections of the specifications is not implied. Exposure to absolute maximum rating conditions for extended periods may affect device reliability.

## ELECTRICAL CHARACTERISTICS

( $V_{CC} = +3.0\text{V}$  to +3.6V,  $T_A = 0^\circ\text{C}$  to +70 $^\circ\text{C}$ . Typical Values are at  $V_{CC} = +3.3\text{V}$ , external terminations = 50 $\Omega \pm 1\%$ , TMD5 rate = 250Mbps to 1.65Gbps,  $T_A = +25^\circ\text{C}$ , unless otherwise noted.)

| PARAMETER   | SYMBOL   | CONDITIONS  | MIN             | TYP      | MAX            | UNITS             |                   |
|---|----------|---|-----------------|----------|----------------|-------------------|-------------------|
| Power-Supply Current  | $I_{CC}$ | $\overline{\text{PWRDWN}} = \text{HIGH}$                |                 | 165      | 230            | mA                |                   |
|   |          | $\overline{\text{PWRDWN}} = \text{LOW}$                 |                 | 10       |                |                   |                   |
| Supply-Noise Tolerance  |          | DC to 500kHz  |                 | 200      |                | mV <sub>p-p</sub> |                   |
| <b>EQUALIZER PERFORMANCE</b>  |          |   |                 |          |                |                   |                   |
| Residual Output Jitter (Cables Only) 0.25Gbps to 1.65Gbps (Notes 1, 2, and 3) |          | 1dB skin-effect loss at 825MHz                          |                 |          | 0.2            | UI                |                   |
|   |          | 24dB skin-effect loss at 825MHz                         |                 |          | 0.2            |                   |                   |
|   |          | 40dB skin-effect loss at 825MHz                         |                 |          | 0.2            |                   |                   |
| CID Tolerance   |          |   | 20              |          |                | Bits              |                   |
| <b>CONTROL AND STATUS</b>   |          |   |                 |          |                |                   |                   |
| $\overline{\text{CLKLOS}}$ Assert Level                                       |          | Differential peak-to-peak at EQ input with 165MHz clock |                 | 50       |                | mV <sub>p-p</sub> |                   |
| <b>CML INPUTS (CABLE SIDE)</b>  |          |   |                 |          |                |                   |                   |
| Differential Input Voltage Swing  | $V_{ID}$ | At cable input  | 800             | 1000     | 1400           | mV <sub>p-p</sub> |                   |
| Common-Mode Input Voltage   | $V_{CM}$ |   | $V_{CC} - 0.4$  |          | $V_{CC} + 0.1$ | V                 |                   |
| Input Resistance  | $R_{IN}$ | Single-ended  | 45              | 50       | 55             | $\Omega$          |                   |
| <b>CML OUTPUTS (ASIC SIDE)</b>  |          |   |                 |          |                |                   |                   |
| Differential Output-Voltage Swing   | $V_{OD}$ | 50 $\Omega$ load, each side to $V_{CC}$                 | OUTLEVEL = HIGH | 800      | 1000           | 1200              | mV <sub>p-p</sub> |
|   |          |   | OUTLEVEL = LOW  | 350      | 500            | 650               |                   |
| Output-Voltage High   |          | Single-ended, OUTLEVEL = HIGH                           |                 | $V_{CC}$ |                | mV                |                   |
| Output-Voltage Low  |          | Single-ended, OUTLEVEL = HIGH                           | $V_{CC} - 600$  |          | $V_{CC} - 400$ | mV                |                   |
| Output Voltage During Power-Down  |          | Single-ended, $\overline{\text{PWRDWN}} = \text{LOW}$   | $V_{CC} - 10$   |          | $V_{CC} + 10$  | mV                |                   |

# TMDS Digital Video Equalizer for DVI/HDMI Cables

MAX3815

## ELECTRICAL CHARACTERISTICS (continued)

( $V_{CC} = +3.0V$  to  $+3.6V$ ,  $T_A = 0^\circ C$  to  $+70^\circ C$ . Typical Values are at  $V_{CC} = +3.3V$ , external terminations =  $50\Omega \pm 1\%$ , TMDS rate = 250Mbps to 1.65Gbps,  $T_A = +25^\circ C$ , unless otherwise noted.)

| PARAMETER                                 | SYMBOL   | CONDITIONS  | MIN | TYP             | MAX  | UNITS   |
|---|----------|---|-----|-----------------|------|---------|
| Common-Mode Output Voltage                |          | $50\Omega$ load, each side to $V_{CC}$ ,<br>OUTLEVEL = HIGH |     | $V_{CC} - 0.25$ |      | V       |
| Rise/Fall Time (Note 1)                   |          | 20% to 80%  | 80  | 130             | 200  | ps      |
| <b>LVTTL CONTROL AND STATUS INTERFACE</b> |          |   |     |                 |      |         |
| LVTTL Input High Voltage                  | $V_{IH}$ |   | 2.0 |                 |      | V       |
| LVTTL Input Low Voltage                   | $V_{IL}$ |   |     |                 | 0.8  | V       |
| LVTTL Input High Current                  |          | $V_{IH(MIN)} < V_{IN} < V_{CC}$                             |     |                 | -50  | $\mu A$ |
| LVTTL Input Low Current                   |          | $GND < V_{IN} < V_{IL(MAX)}$                                |     |                 | -100 | $\mu A$ |
| Open-Collector Output High                |          | $R_{LOAD} \geq 10k\Omega$ to $V_{CC}$                       | 2.4 |                 |      | V       |
| Open-Collector Output Low                 |          | $R_{LOAD} \geq 2k\Omega$ to $V_{CC}$                        |     |                 | 0.4  | V       |
| Open-Collector Output Sink                |          |   |     |                 | 5    | mA      |

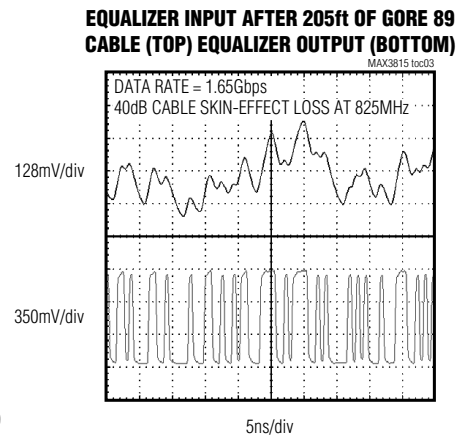
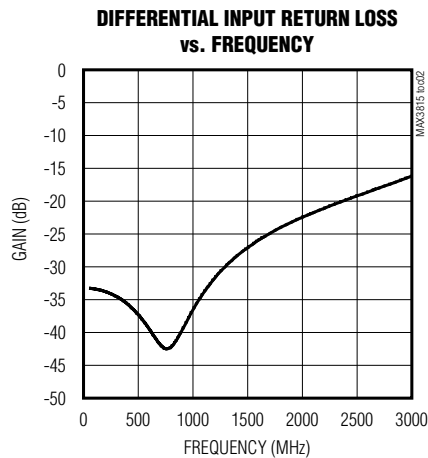
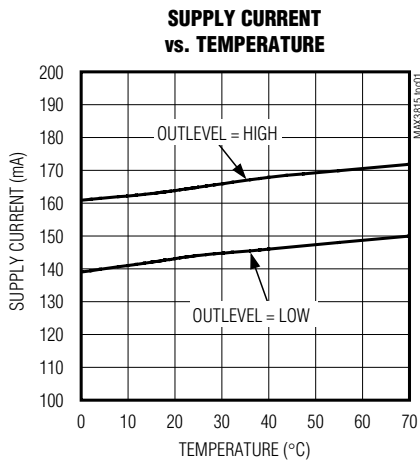
**Note 1:** AC specifications are guaranteed by design and characterization.

**Note 2:** Cable input swing is 800mV to 1400mV differential peak-to-peak. Residual output jitter is defined as peak-to-peak deterministic jitter + 14.2 times random jitter.

**Note 3:** Test pattern is a  $2^7 - 1$  PRBS + 20 ones +  $2^7 - 1$  PRBS (inverted) + 20 zeros.

## Typical Operating Characteristics

(Typical values are at  $V_{CC} = +3.3V$ ,  $T_A = +25^\circ C$ , data pattern =  $2^7 - 1$  PRBS + 20 ones +  $2^7 - 1$  PRBS (inverted) + 20 zeros, unless otherwise noted.)

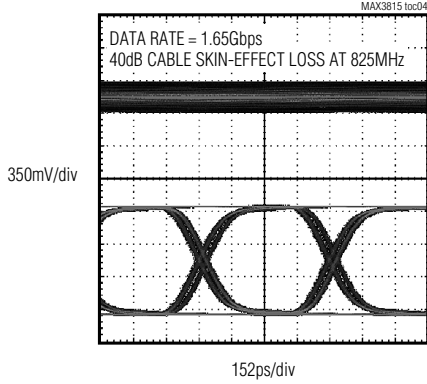


# TMDS Digital Video Equalizer for DVI/HDMI Cables

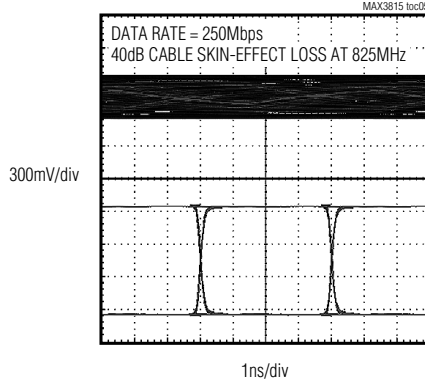
## Typical Operating Characteristics (continued)

(Typical values are at  $V_{CC} = +3.3V$ ,  $T_A = +25^\circ C$ , data pattern =  $2^7 - 1$  PRBS + 20 ones +  $2^7 - 1$  PRBS (inverted) + 20 zeros, unless otherwise noted.)

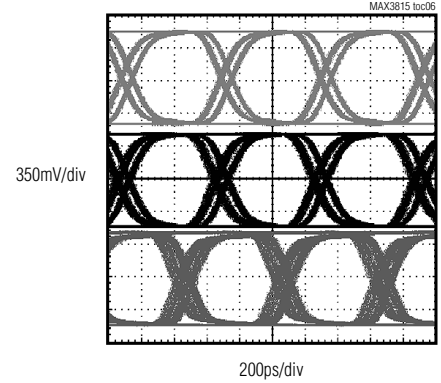
**EQUALIZER INPUT EYE AFTER 205ft OF GORE 89 CABLE (TOP) EQUALIZER OUTPUT (BOTTOM)**



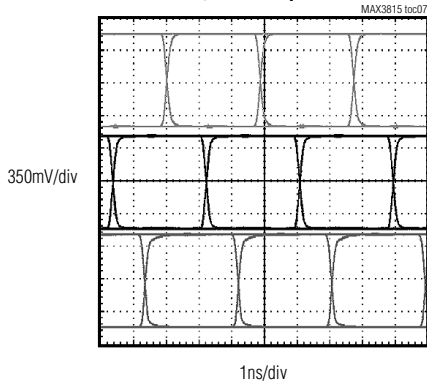
**EQUALIZER INPUT EYE AFTER 205ft OF GORE 89 CABLE (TOP) EQUALIZER OUTPUT (BOTTOM)**



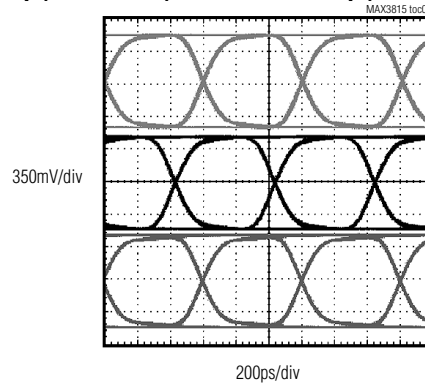
**EQUALIZER EYES AFTER 100ft MADISON DIGITAL FLAT-PANEL CABLE, 28 AWG (DATA RATE = 1.65Gbps)**



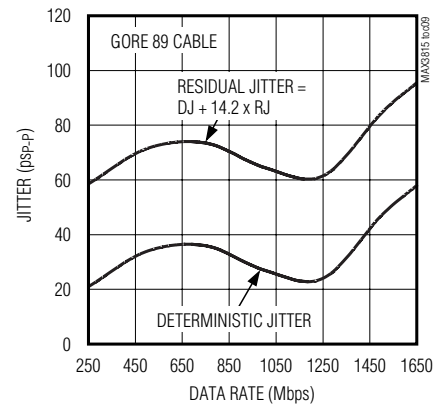
**EQUALIZER EYES AFTER 100ft MADISON DIGITAL FLAT-PANEL CABLE, 28 AWG (DATA RATE = 350Mbps)**



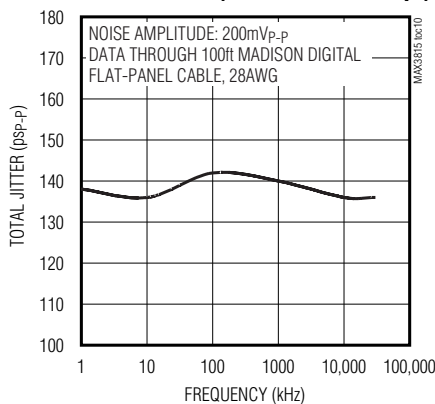
**EQUALIZER EYES AFTER 3ft CABLE (DATA RATE = 1.65Gbps)**



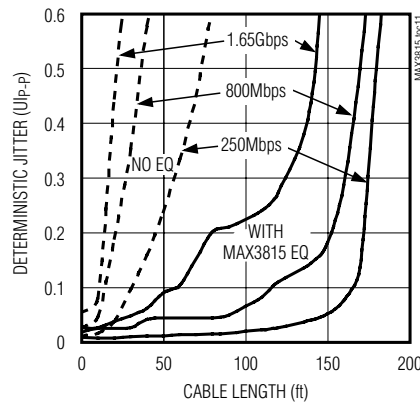
**JITTER vs. DATA RATE AFTER 205ft CABLE WITH 40dB SKIN-EFFECT LOSS AT 825MHz**



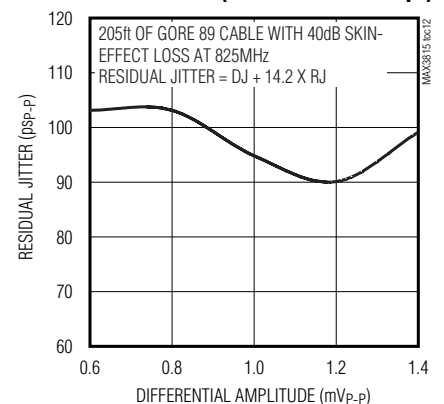
**TOTAL JITTER vs. POWER-SUPPLY NOISE FREQUENCY (DATA RATE = 1.65Gbps)**



**DETERMINISTIC JITTER vs. CABLE LENGTH (TENSOLITE TWIN-AX 28 AWG)**



**RESIDUAL JITTER vs. SIGNAL AMPLITUDE INPUT TO CABLE (DATA RATE = 1.65Gbps)**

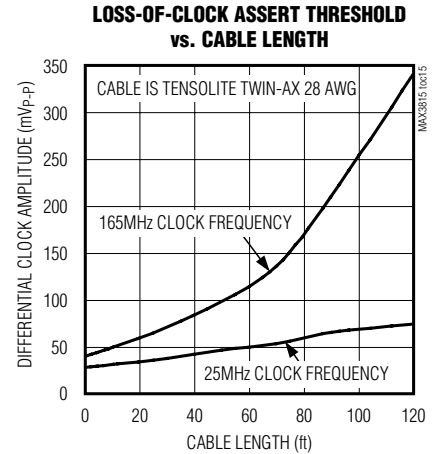
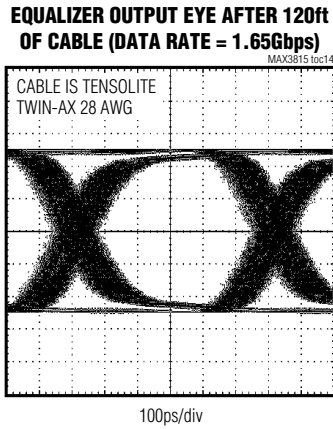
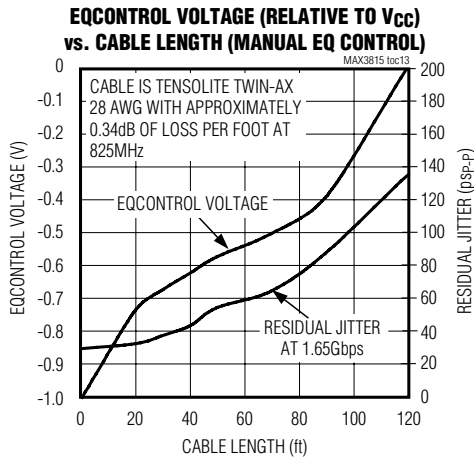


# TMDS Digital Video Equalizer for DVI/HDMI Cables

MAX3815

## Typical Operating Characteristics (continued)

(Typical values are at  $V_{CC} = +3.3V$ ,  $T_A = +25^\circ C$ , data pattern =  $2^7 - 1$  PRBS + 20 ones +  $2^7 - 1$  PRBS (inverted) + 20 zeros, unless otherwise noted.)



## Pin Description

| PIN                                       | NAME                | FUNCTION   |
|---|---------------------|--|
| 1, 4, 5, 8, 9, 12, 13, 16, 38, 41, 43, 44 | $V_{CC}$            | Supply Voltage. All pins must be connected to $V_{CC}$ .   |
| 2   | RX0_IN-             | Negative Data Input, CML   |
| 3   | RX0_IN+             | Positive Data Input, CML   |
| 6   | RX1_IN-             | Negative Data Input, CML   |
| 7   | RX1_IN+             | Positive Data Input, CML   |
| 10  | RX2_IN-             | Negative Data Input, CML   |
| 11  | RX2_IN+             | Positive Data Input, CML   |
| 14  | RXC_IN+             | Positive Clock Input, CML  |
| 15  | RXC_IN-             | Negative Clock Input, CML  |
| 17  | EQCONTROL           | Equalizer Control. This pin allows the user to control the equalization level of the MAX3815. Connect the pin to GND for automatic operation. Set the voltage to $V_{CC} / 2$ for minimum equalization, or set the voltage between $V_{CC} - 1V$ to $V_{CC}$ for manual equalization. See the <i>Typical Operating Characteristics</i> for more information. |
| 18  | $\overline{CLKLOS}$ | Loss-of-Clock Signal Output, LVTTTL Open Collector. This pin asserts low upon loss of the input TMDS clock from the cable.   |
| 19  | $\overline{PWRDWN}$ | Power-Down Input, LVTTTL. This input allows the IC to be powered down to conserve power. Connect high for normal operation. Pull low for power-down mode.  |

# TMDS Digital Video Equalizer for DVI/HDMI Cables

## Pin Description (continued)

| PIN   | NAME                      | FUNCTION  |
|---|---------------------------|---|
| 20, 23, 24,<br>25, 28, 29,<br>32, 33, 36,<br>37, 42 | GND                       | Ground  |
| 21  | RXC_OUT-                  | Negative Clock Output, CML  |
| 22  | RXC_OUT+                  | Positive Clock Output, CML  |
| 26  | RX2_OUT+                  | Positive Data Output, CML   |
| 27  | RX2_OUT-                  | Negative Data Output, CML   |
| 30  | RX1_OUT+                  | Positive Data Output, CML   |
| 31  | RX1_OUT-                  | Negative Data Output, CML   |
| 34  | RX0_OUT+                  | Positive Data Output, CML   |
| 35  | RX0_OUT-                  | Negative Data Output, CML   |
| 39  | OUTLEVEL                  | Output-Level Control Input, LVTTTL. This input sets the output amplitude to the standard DVI level (1000mV <sub>P-P</sub> ) when high, and sets the output amplitude to 1/2 the DVI level (500mV <sub>P-P</sub> ) when low. |
| 40  | $\overline{\text{OUTON}}$ | Output-Enable Control Input, LVTTTL. This input enables the CML outputs when forced low and sets a differential logic zero when forced high.  |
| 45–48   | N.C.                      | No Connection   |
| EP  | Exposed Pad               | Ground. The exposed pad must be soldered to the circuit-board ground for proper thermal and electrical operation.   |

### Detailed Description

The MAX3815 TMDS equalizer accepts differential CML input data at rates of 250Mbps up to 1.65Gbps (individual channel data rate). It automatically adjusts to attenuation levels of up to 40dB at 825MHz due to skin-effect losses in copper cable. It consists of four CML input buffers, a loss-of-clock signal detector, three independent adaptive equalizers, four limiting amplifiers, and four output buffers (Figure 1).

#### CML Input Buffers and Output Drivers

The input buffers and the output drivers are implemented using current-mode logic (CML) (see Figures 3 and 4). The output drivers are open-collector and can be turned off with the  $\overline{\text{OUTON}}$  pin, or can be set to output a one-half amplitude signal (500mV<sub>P-P</sub> differential) using the OUTLEVEL pin. For details on interfacing with CML, refer to Maxim Application Note *HFAN-01.0: Introduction to LVDS, PECL, and CML*.

#### Loss-of-Clock Signal Detector

The loss-of-clock signal detector indicates a loss-of-clock signal at the CLKLOS pin.

#### Adaptive Equalizer

The three data channels each contain an independent adaptive equalizer. Each channel analyzes the incoming signal and determines the amount of equalization to apply.

#### Limiting Amplifier

The limiting amplifier amplifies the signal from the adaptive equalizer and truncates the top and bottom of the waveform to provide a clean high- and low-level signal to the output drivers.

### Applications Information

Typical shielded twisted pair (STP) and unshielded twisted pair (UTP) cables exhibit skin-effect losses, which attenuate the high-frequency spectrum of a TMDS signal, eventually causing data errors or even closing the signal eye altogether given a long enough cable. The MAX3815 recovers the data and opens the signal eye through compensating equalization.

The basic TMDS interface is composed of four differential serial links: three links carry serial data up to 1.65Gbps each, and the fourth is a one-tenth-rate (0.1x) clock that operates up to 165MHz. TMDS, as with

# TMDS Digital Video Equalizer for DVI/HDMI Cables

MAX3815

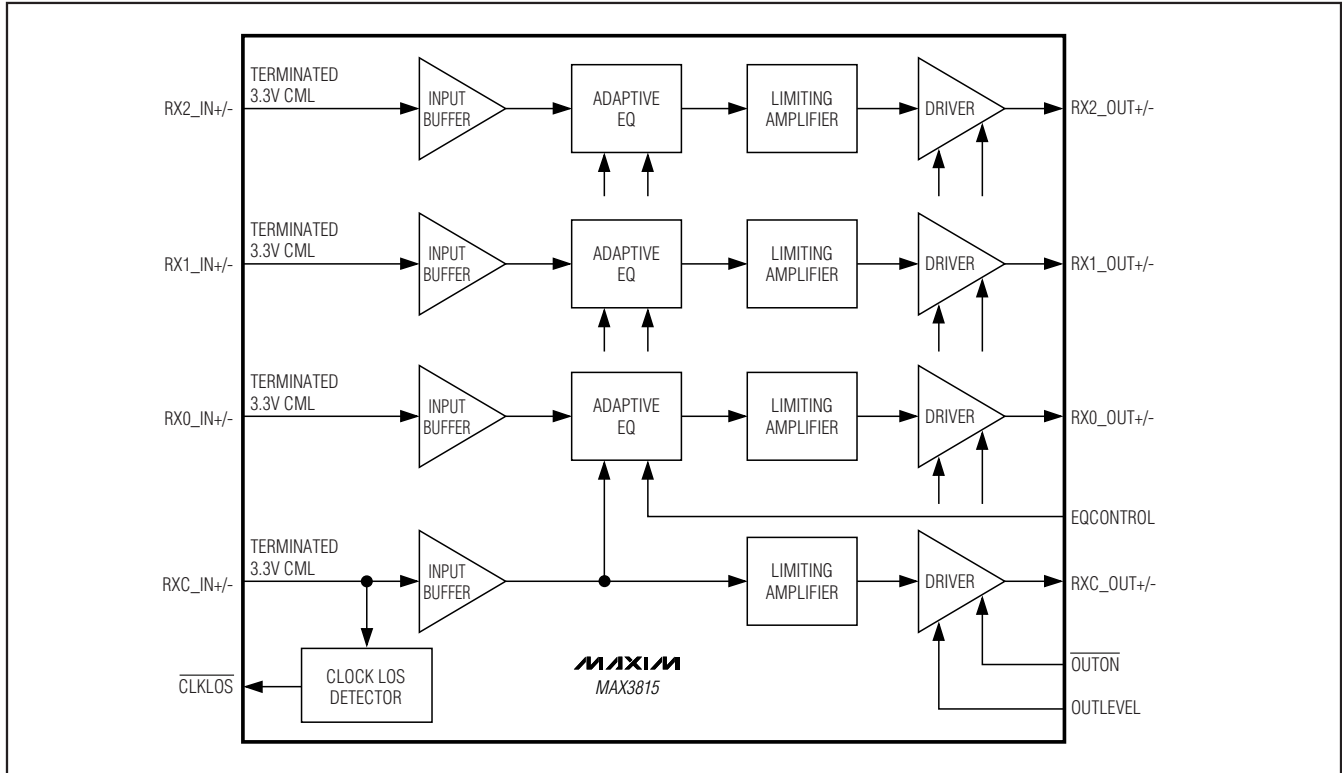


Figure 1. Functional Diagram

analog nVGA links, must handle a variety of resolutions and screen update rates. The actual range of digital serial rates is roughly 250Mbps to 1.65Gbps. For applications requiring ultra-high resolutions (e.g., QXGA), a “double-link” TMDS interface is used and is composed of six data links plus the clock, requiring two MAX3815 ICs with the clock going to both ICs. See Figure 2.

The MAX3815 can be used to extend any TMDS interface as used under the following trademarked names: DVI (digital visual interface), DFP™ (digital flat-panel), Panellink, ADC™ (Apple display connector), and HDMI (high-definition multimedia interface).

### Loss-of-Clock Signal (CLKLOS) Output

Loss-of-clock signal is indicated by the CLKLOS output. A low level on CLKLOS indicates that the signal power on the RXC\_IN pins has dropped below a threshold. When there is sufficient input voltage to the channel (typically greater than 100mV<sub>p-p</sub> differential), CLKLOS is high. The CLKLOS output is suitable for indicating problems with the transmission link caused by, for example, a broken cable, a defective driver, or a lost connection to the equalizer.

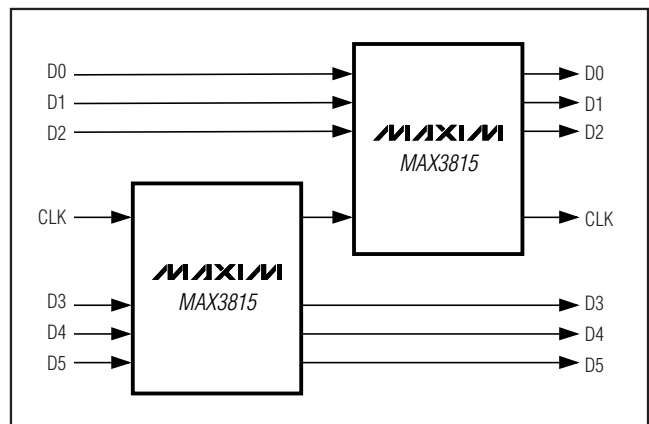


Figure 2. Connection Scheme for MAX3815 in Dual Link Application

ADC is a trademark of Apple Computer, Inc.  
DFP is a trademark of Video Electronics Standards Association (VESA).

# TMD5 Digital Video Equalizer for DVI/HDMI Cables

A squelching function can be created by sending the CLKLOS output through an inverter to the  $\overline{\text{OUTON}}$  pin. This will squelch the CML outputs whenever the clock signal is removed. A loss-of-signal LED indicator can be incorporated into the circuit as well (see Figure 3).

### Output Level Control (OUTLEVEL) Input

The OUTLEVEL pin is an LVTTTL input that allows the user to select between standard output amplitude (1000mV<sub>P-P</sub> differential) or one-half output amplitude (500mV<sub>P-P</sub> differential). Forcing this pin high results in the standard output signal level, and forcing this pin low results in the reduced output signal level.

### Equalizer Control (EQCONTROL) Input

The EQCONTROL pin allows the user to control the equalization in one of three ways: forcing the pin to ground sets the equalizer in automatic equalization mode, forcing the pin to  $V_{CC} / 2$  sets the equalizer to minimum equalization, and forcing a voltage between  $V_{CC} - 1V$  to  $V_{CC}$  allows manual control of the equalization level applied to the input signals. See the *Typical Operating Characteristics* for more information.

### Power-Down (PWRDWN) Input

The PWRDWN pin allows the part to be powered down to reduce system power consumption. Force the pin high for normal operation. Force the pin low to power-down the IC. When powered down, the part consumes approximately 10mA.

## Interface Models

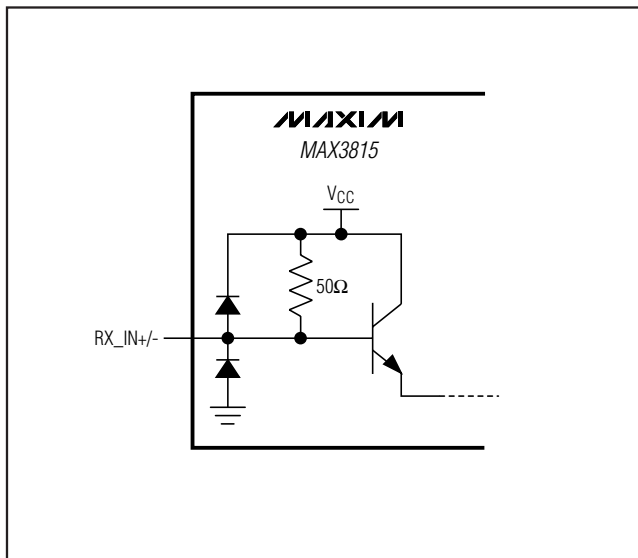


Figure 4. Simplified Input Circuit Schematic

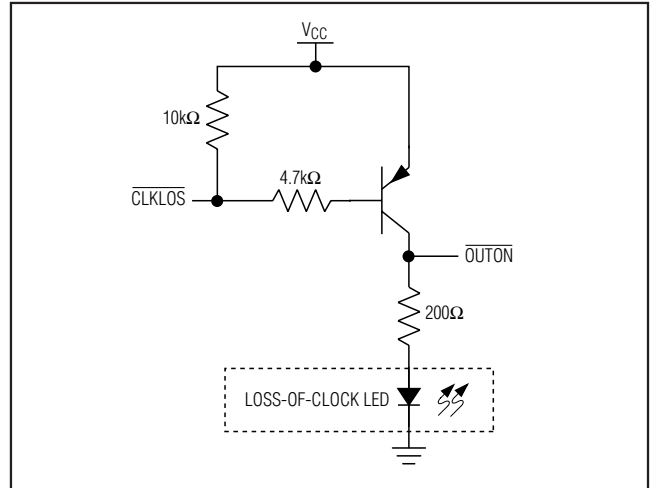


Figure 3. Squelch Circuit

### Output On ( $\overline{\text{OUTON}}$ ) Input

The  $\overline{\text{OUTON}}$  pin is an LVTTTL input. Force the pin low to enable the outputs. Force the pin high to set a differential zero on the outputs. When disabled, the outputs will go to a differential zero, irrespective of the signal at the inputs.

### Cable Selection

TMD5 performance is heavily dependent on cable quality. Deterministic jitter (DJ) can be caused by differential-to-common-mode conversion (or vice-versa)

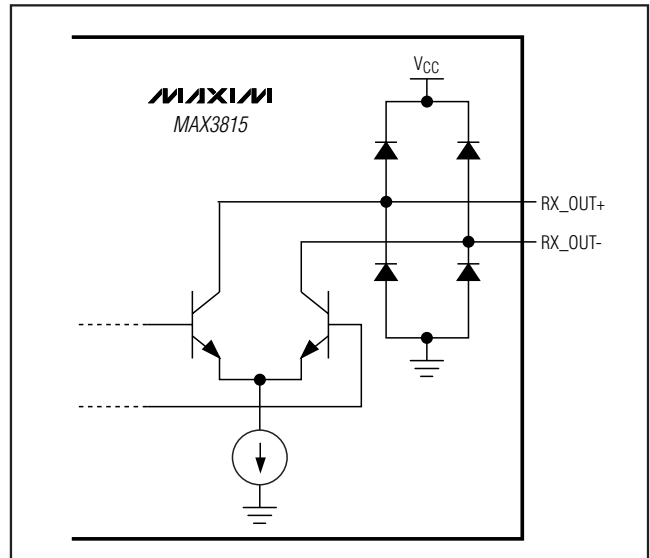


Figure 5. Simplified Output Circuit Schematic



# TMD5 Digital Video Equalizer for DVI/HDMI Cables

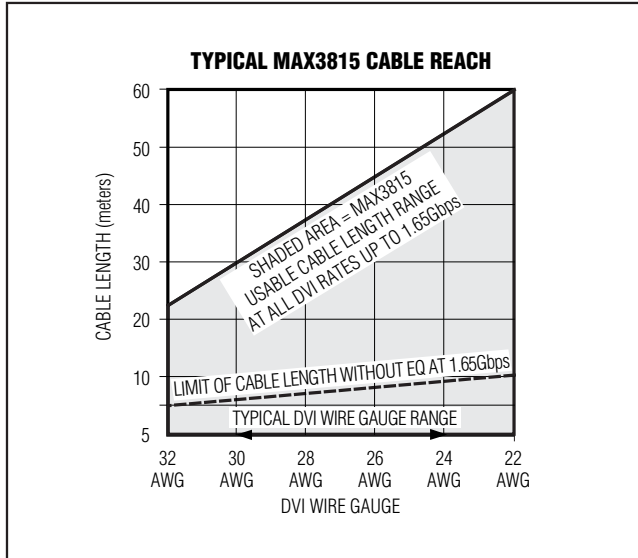


Figure 6. Cable Reach

within a twisted pair (STP or UTP), usually a result of cable twist or dielectric imbalance. Refer to Application Note HFAN-04.5.4: 'Jitter Happens' when a Twisted Pair is Unbalanced for more information.

### Layout Considerations

The data and clock inputs are the most critical paths for the MAX3815 and great care should be taken to minimize discontinuities on these transmission lines between the connector and the IC. Here are some suggestions for maximizing the performance of the MAX3815:

- The data and clock inputs should be wired directly between the cable connector and IC without stubs.

- Input and output data channel designations are only a guide. Polarity assignments can be swapped and channel paths can be interchanged.
- An uninterrupted ground plane should be positioned beneath the high-speed I/Os.
- Ground-path vias should be placed close to the IC and the input/output interfaces to allow a return current path to the IC and the DVI cable.
- Maintain 100Ω differential transmission line impedance into and out of the MAX3815.
- Use good high-frequency layout techniques and multilayer boards with an uninterrupted ground plane to minimize EMI and crosstalk.

### Exposed-Pad Package

The exposed pad on the 48-pin TQFP-EP provides a very low thermal resistance path for heat removal from the IC. The pad is also electrical ground on the MAX3815 and must be soldered to the circuit board ground for proper thermal and electrical performance. Refer to Maxim Application Note HFAN-08.1: *Thermal Considerations of QFN and Other Exposed-Paddle Packages* for additional information.

### Chip Information

PROCESS: SiGe BiPOLAR

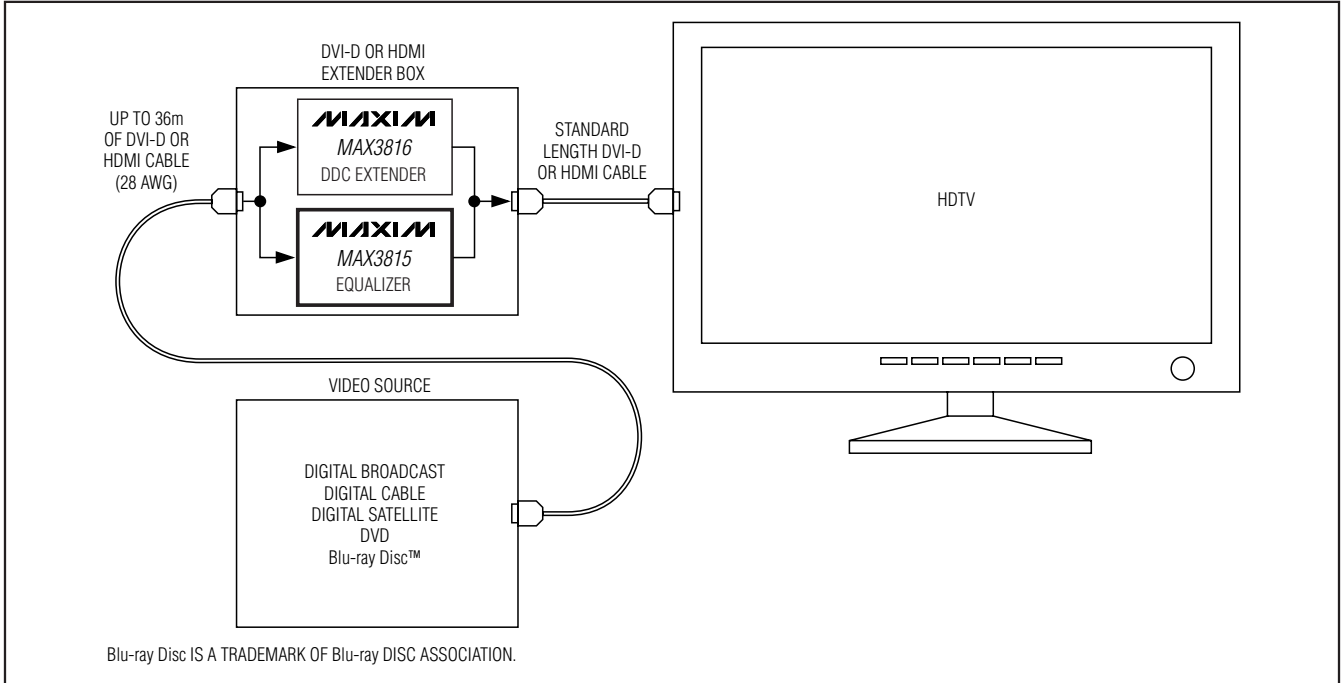
### Package Information

(For the latest package outline information, go to [www.maxim-ic.com/packages](http://www.maxim-ic.com/packages).)

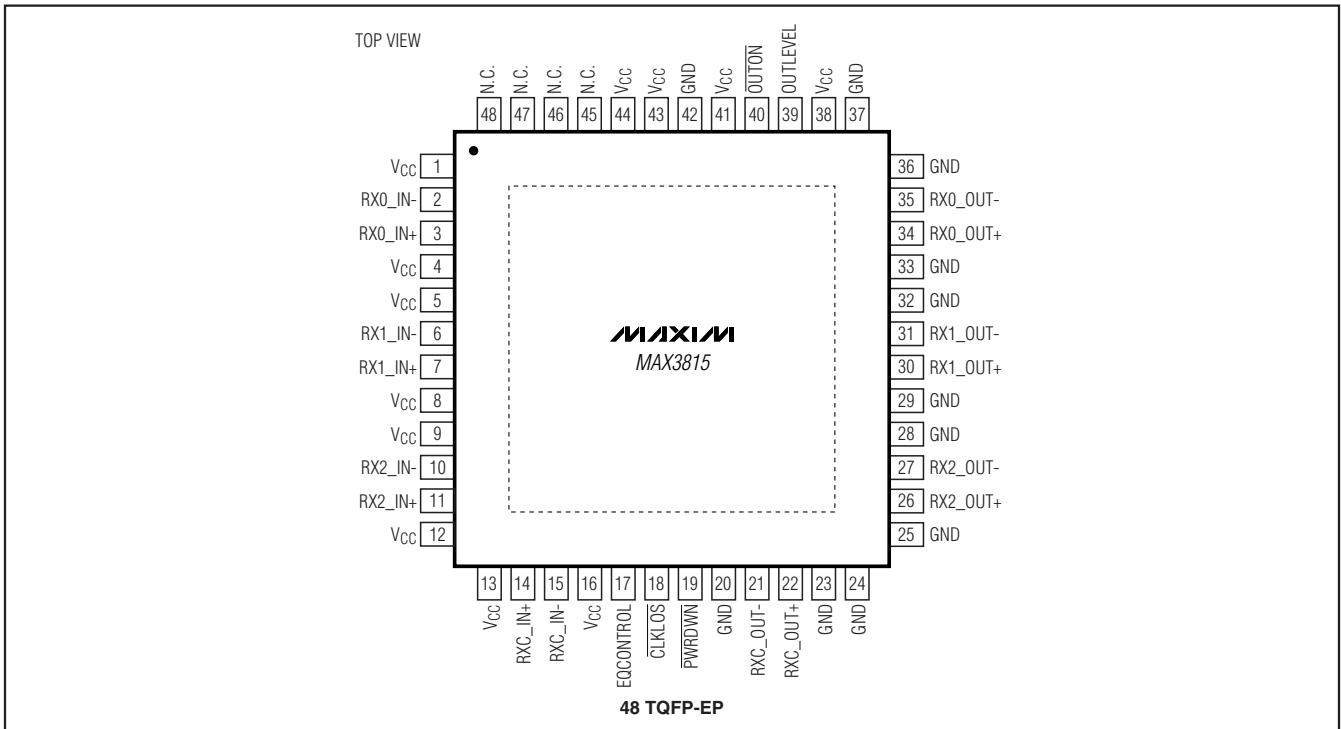
| PACKAGE TYPE | DOCUMENT NO.            |
|--------------|-------------------------|
| 48 TQFP      | <a href="#">21-0065</a> |

# TMD5 Digital Video Equalizer for DVI/HDMI Cables

## Typical Application Circuits (continued)



## Pin Configuration



# TMDS Digital Video Equalizer for DVI/HDMI Cables

## Revision History

| REVISION NUMBER | REVISION DATE | DESCRIPTION  | PAGES CHANGED |
|-----------------|---------------|--|---------------|
| 0               | 10/04         | Initial release.   | —             |
| 1               | 8/05          | Removed future status from the lead-free package in the Ordering Information table.              | 1             |
| 2               | 2/08          | Removed reference to the schematic and board layers in the <i>Layout Considerations</i> section. | 9             |

MAX3815

Maxim cannot assume responsibility for use of any circuitry other than circuitry entirely embodied in a Maxim product. No circuit patent licenses are implied. Maxim reserves the right to change the circuitry and specifications without notice at any time.

Maxim Integrated Products, 120 San Gabriel Drive, Sunnyvale, CA 94086 408-737-7600 \_\_\_\_\_ 11